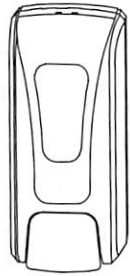
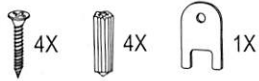


MANUAL FOAM SOAP DISPENSER INSTALLATION

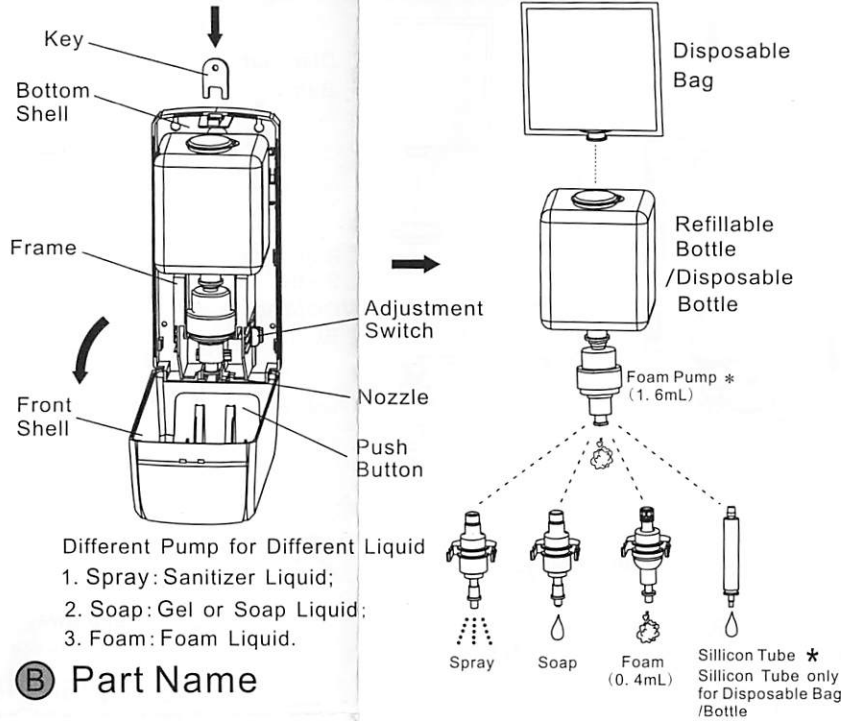


1X*

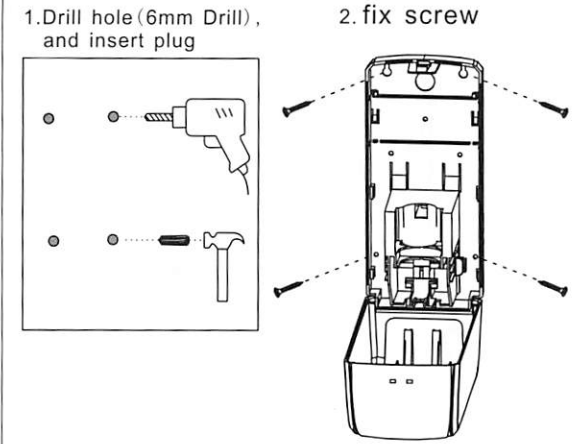


* we have different shape but same installation.

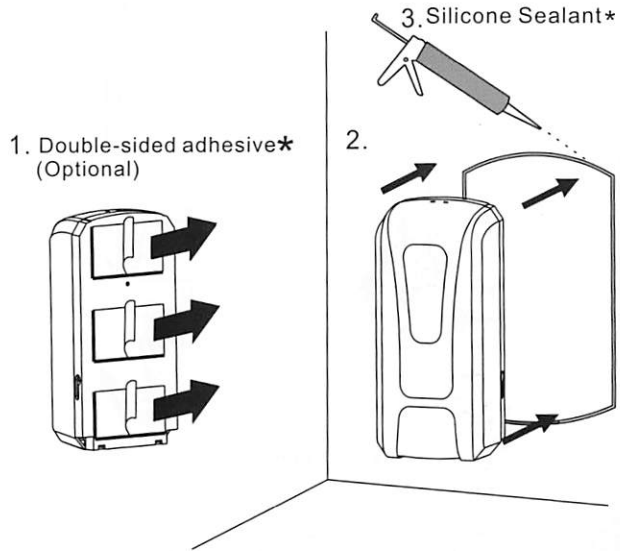
A Packing List



B Part Name

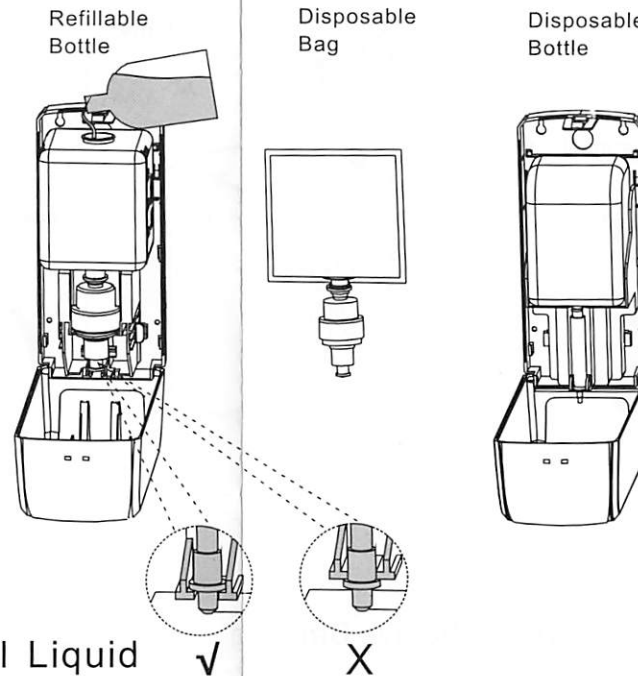


C Way for Screw

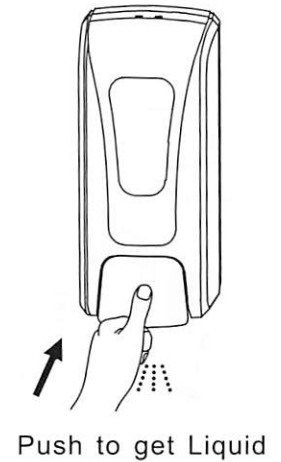


* The standard Packing is not including Double-sided adhesive and Silicone sealant

D Way for Sticker/without Screw

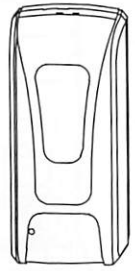


E Fill Liquid



F Enjoy hand sanitizing

SENSOR FOAM SOAP DISPENSER INSTALLATION

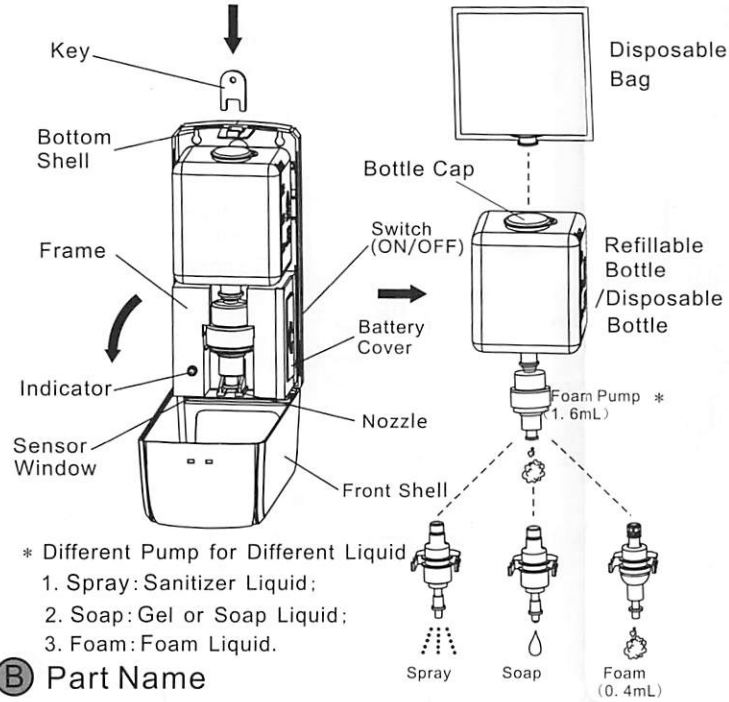


1X *

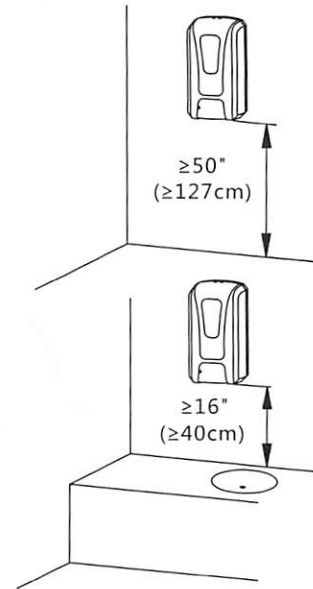


* we have different shape but same installation.

A Packing List

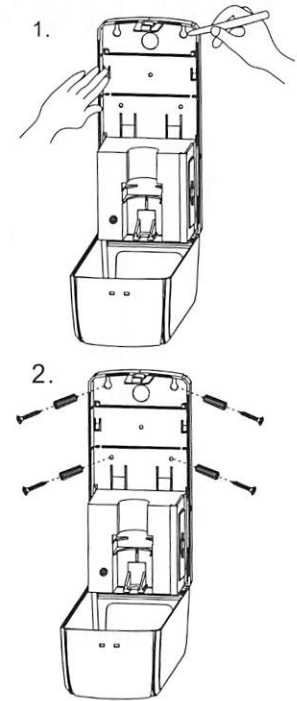


B Part Name

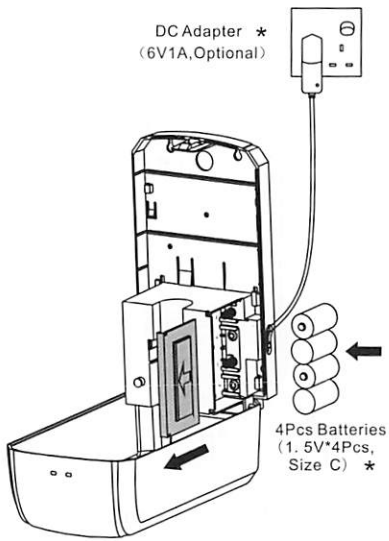


* keep away from sunshine and humid place

C Height from Floor/Table

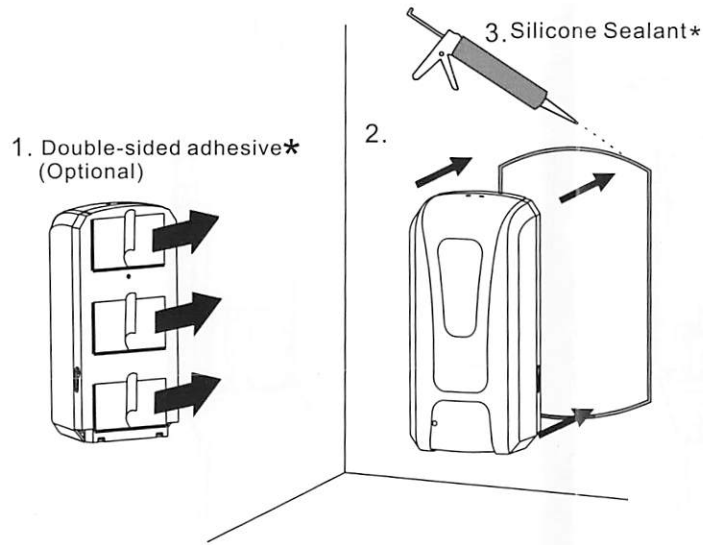


D Way for Screw



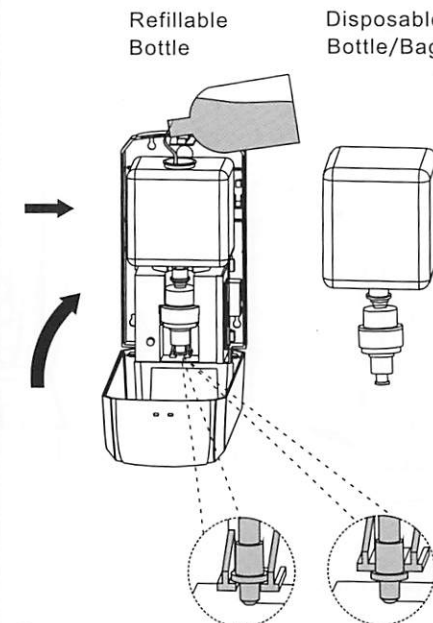
* The Standard Packing is not including DC Adapter and Batteries

E Install Batteries/DC Adapter

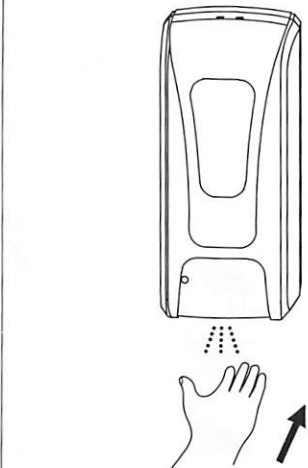


* The standard Packing is not including Double-sided adhesive and Silicone sealant

F Installation with Adhesive Backing (no screws)



G Fill Liquid



- LED Light:
 1. green color 5 seconds flush: working condition;
 2. red color 5 seconds flush: low power for battery and change;
 3. red color 2 seconds flush: something under sensor and remove it;
- Infrared sensor (non-contact)

H Enjoy hand sanitizing