



## Instruction Manual

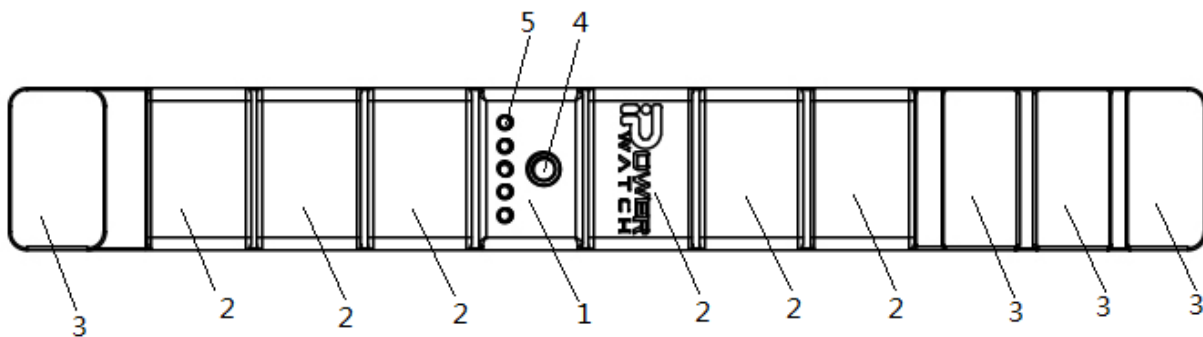
## OVERVIEW

The **iPower Watch**, manufactured to replace the traditional adapter and voltage stabilizer, provides an easier and more efficient way of tattooing. **iPower Watch's** goal is to remove unnecessary external power source and eliminate the long wires at your work station, while providing exceptional power supply output to your tattoo machine or any other electronic devices. In addition, **iPower Watch** cuts down on the long preparation, hence allows you to fit more customers in your daily schedule. The **iPower Watch** is built for tattoo artist and permanent make-up artist; or if you simply need to charge your electronic devices, the **iPower Watch** is able to take care of that too!

## DEVICE VIEW

- (1) Control Module
- (2) Battery (6 batteries total: 1500mAh)
- (3) Magnet (4 magnets total)
- (4) Power/Switch Button
- (5) Indicator Light (5 lights total)
- (6) Ballast-Surfaced cover
- (7) iPower Band
- (8) USB Connector

**Illustration 1**



**Instructions**

**1: Power on / Power Off**

*Press and hold the Power/Switch Button (4) for two seconds until ALL the indicator light (5) flashes.*

**2: Change Voltage**

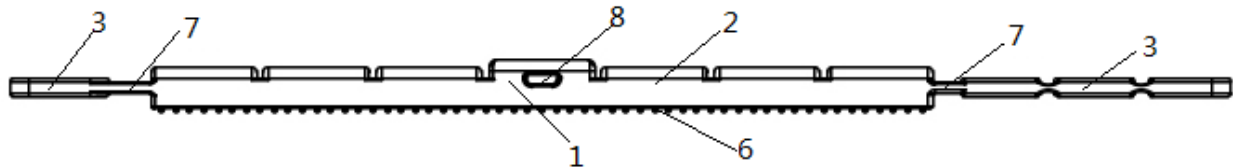
*Double tap Power/Switch Button (4) to change the voltage to different range. See figures below.*

<b># of Lights</b>	⊙○○○○	●○○○○	●●○○○	●●●○○	●●●●○	●●●●●
<b>Voltage</b>	<b>0V</b>	<b>5V</b>	<b>6.5V</b>	<b>8V</b>	<b>9.5V</b>	<b>11V</b>
<b>Percentage</b>	~0-10%	~10-20%	~20-40%	~40-60%	~60-80%	~80-100%

*Note: The iPower Watch automatically changes to standby mode if it doesn't work or load in 18 seconds.*

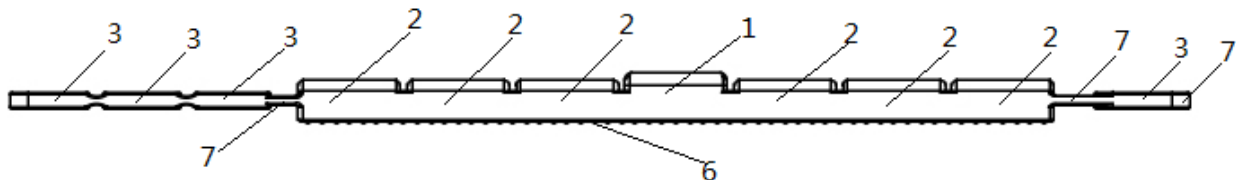
*Note: The iPower Watch will show the power of the battery every 3 seconds during the work.*

**Illustration 2**

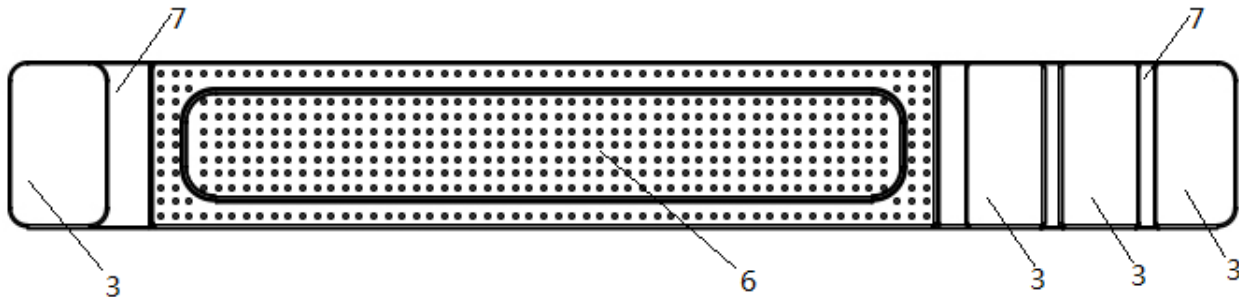


**Illustration 2:** *In order for the machine to work, make sure that the USB Chord is properly connected to the USB connector (8) on the side of the device.*

**Illustration 3**



**Illustration 4**



**Warning:** If the temperature of the work environment suddenly changes from cold to warm room or vice-versa, then condensation may form on the device and its internal parts. To avoid damage, please wait at least 3 hours for the watch to adjust before using the device. Suggested room temperature range is 10°C to 35°C.

**Safe operation is not guaranteed if:**

- The Device or the auxiliary equipment is clearly and markedly damaged
- The device does not work as it should
- It has been stored for a longer period of time not within the specified temperature range
- It has been damaged due to improper transport.

**If any of these cases happen, the device should be given to an authorized dealer so that it can be properly checked.**

**TECHNICAL PARAMETERS**

<b>Battery:</b>	<b>Lithium</b>
<b>Input Power:</b>	<b>5V-1.5A</b>
<b>Output Power:</b>	<b>5V 1A   6.5V 0.7A   8V 0.6A   9.5V 0.5A   11V 0.4A</b>
<b>Output Rate:</b>	<b>5W</b>
<b>Output Connector:</b>	<b>Micro USB</b>
<b>Charging Voltage:</b>	<b>4.8-5.2V</b>
<b>Charging Current:</b>	<b>1.0A-1.5A(MAX)</b>
<b>Charging Time:</b>	<b>~ 2 hours</b>
<b>Battery Life:</b>	<b>~ 500 Times</b>